

SYSTEM 3A

Imagine the possibilities...



TRACK

Extruded Aluminium (Alloy 6063) powder-coated to 60 Micron.

TRACK GLIDES

Silicon Impregnated UV Stabilised Nylon designed to be snapped in or out at any point.

TRACK RUNNERS

Silicon Impregnated UV Stabilised Nylon which consists of a solid wheel riveted to a body which is rated at 2 kg per wheel.

UNIVERSAL DRAW WHEEL

Manufactured from 1mm Steel powder-coated to 80 Microns designed to fit both left and right hand side, incorporates cord centering wheels.

UNIVERSAL HAND TRAVERSE END STOP

Moulded from Silicon Impregnated Nylon, designed to fit either left or right hand side complete with locking screw, includes moulding for fitting of return end plate.

MASTER CARRIER

Body made from 1.4mm Steel – Arm made from 2.5mm Steel – Arm is adjustable and reversible – nylon blocks universal – can be used on straight or curved track.

INSTALLATION BRACKETS

Single brackets made from 1.6mm Steel, Double and Triple brackets made from 2.00mm Steel powder-coated to 80 Microns – incorporates unique locking cam manufactured from tough Die Cast Aluminum. Bracket available in ceiling fix, triple, double and single. 32mm Fixed Projection Single bracket adjustable 78mm-105mm, Double brackets 120mm-150mm, Triple Bracket 190mm-240mm.

CUTTING ALLOWANCES

Per Pulley Block – without return end	55mm
Per Pulley Block – with return end	55mm
Per Hand Traverse End Stop – without return end	10mm
Per Hand Traverse End Stop – with return end	20mm
One Way Draw End Caps	2mm

BRACKET ALLOWANCES

Top of Track – Top of Bracket	10mm
Eye of Glide – Top of Bracket	45mm
Eye of Glide – Top of Track	35mm
Eye of Glide – Top of Ceiling Fix Bracket	42mm
Top of Bracket – Top of Hole Single Bracket	15mm

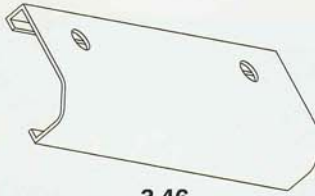


SYSTEM 3A

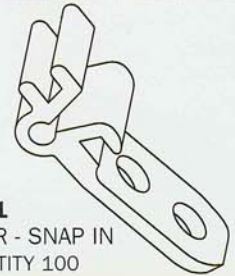
COMPONENTS



8-5.8
6 METER ALUMINIUM CURTAIN TRACK
PACK QUANTITY 30 LENGTHS



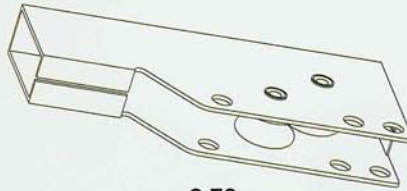
3-46
TRACK JOINER
PACK QUANTITY 100



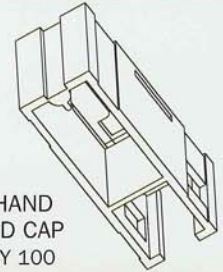
8-01
TRACK GLIDER - SNAP IN
PACK QUANTITY 100



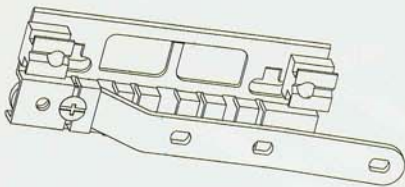
3-50
WHEELED RUNNER
PACK QUANTITY 700



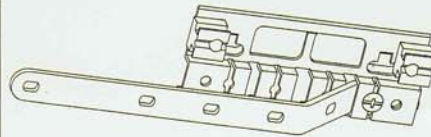
3-73
UNIVERSAL DRAW WHEEL
PACK QUANTITY 20



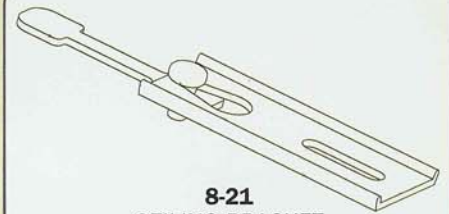
3-47A
UNIVERSAL HAND
TRAVERSE END CAP
PACK QUANTITY 100



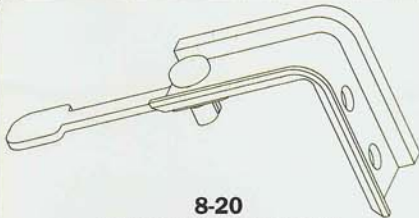
3-36
MASTER CARRIER
PACK QUANTITY 20



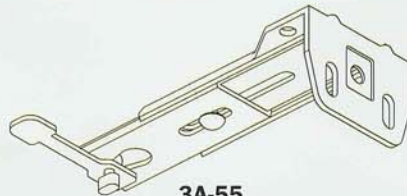
3-37
OVERLAPPING MASTER CARRIER
PACK QUANTITY 20



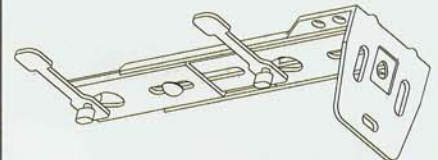
8-21
CEILING BRACKET
PACK QUANTITY 50



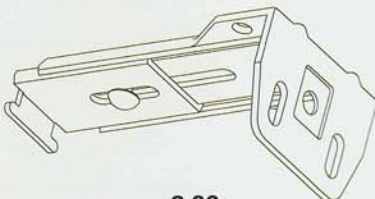
8-20
32MM FIXED BRACKET
PACK QUANTITY 50



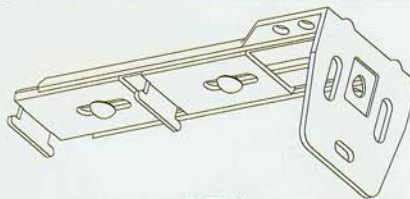
3A-55
SINGLE PROJECTION BRACKET
(78-120MM) PACK QUANTITY 20



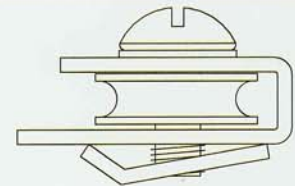
3A-55V
DOUBLE SUPPORT BRACKET
(125-150MM) PACK QUANTITY 10



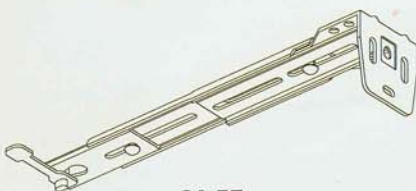
3-66
SINGLE RETURN END BRACKET
PACK QUANTITY 20



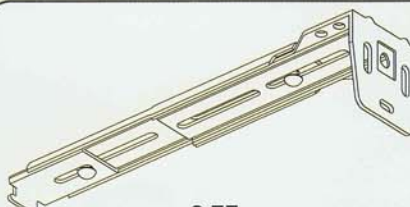
3-70V
DOUBLE RETURN END BRACKET
(120-150MM) PACK QUANTITY 10



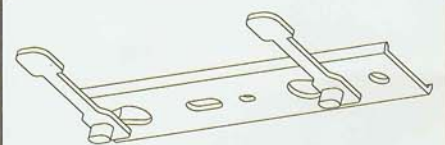
3-87A
INSERT PULLEY
PACK QUANTITY 100



3A-57
TRIPLE SUPPORT BRACKET
PACK QUANTITY 10



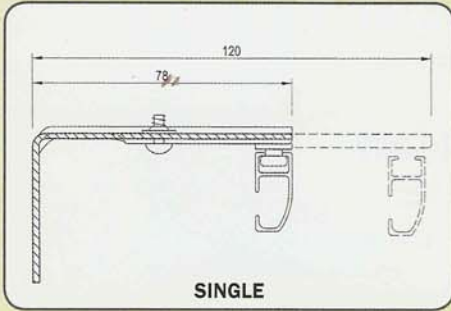
3-77
TRIPLE RETURN END BRACKET
PACK QUANTITY 10



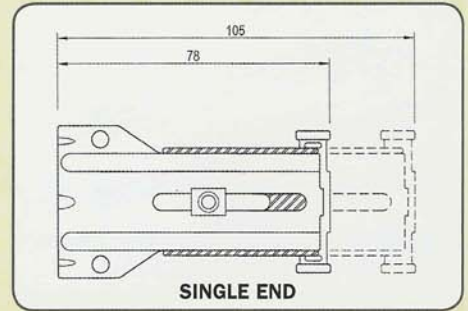
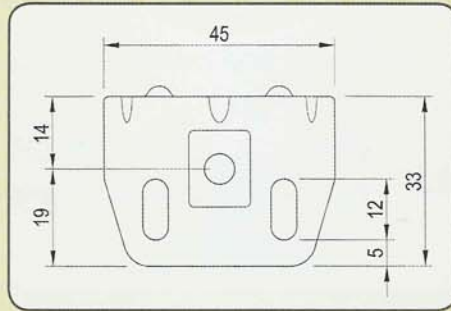
8-22
DOUBLE CEILING BRACKET
PACK QUANTITY 50

SYSTEM 3A

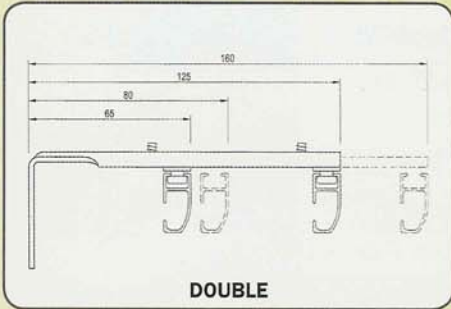
COMPONENT DIMENSIONS



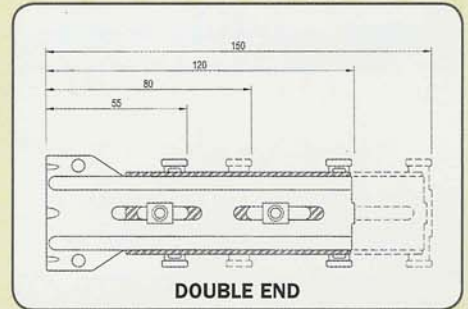
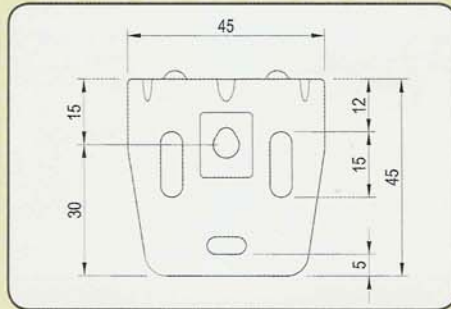
SINGLE



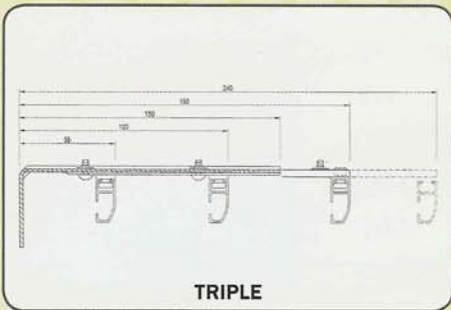
SINGLE END



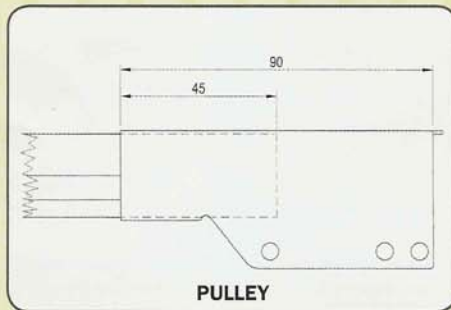
DOUBLE



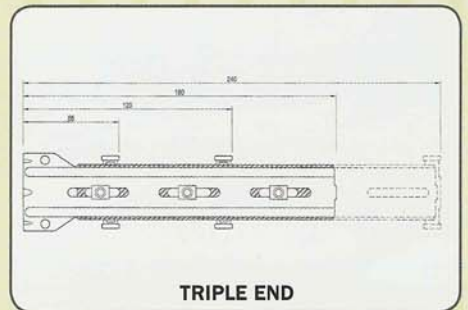
DOUBLE END



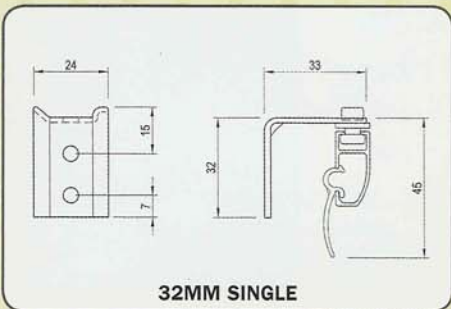
TRIPLE



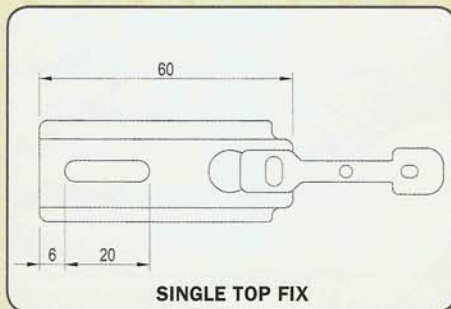
PULLEY



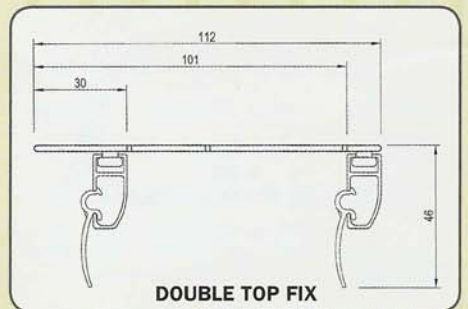
TRIPLE END



32MM SINGLE



SINGLE TOP FIX



DOUBLE TOP FIX

